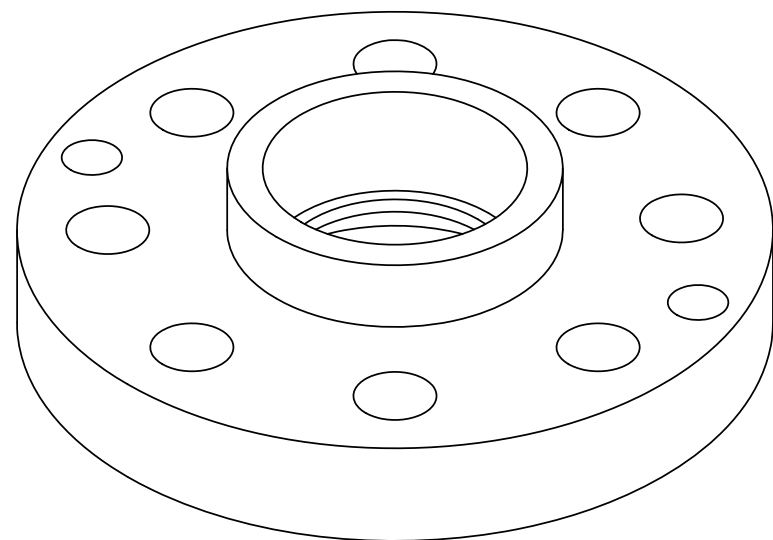


SECTION A-A



|   |  |  |  |           |  |                                   |  |                      |  |              |  |
|---|--|--|--|-----------|--|-----------------------------------|--|----------------------|--|--------------|--|
| UNLESS OTHERWISE SPECIFIED:<br>DIMENSIONS ARE IN MILLIMETERS<br>SURFACE FINISH:<br>TOLERANCES:<br>LINEAR:<br>ANGULAR: |  |  |  | FINISH:   |  | DEBUR AND<br>BREAK SHARP<br>EDGES |  | DO NOT SCALE DRAWING |  | REVISION     |  |
| DRAWN   |  |  |  | SIGNATURE |  | DATE                              |  | TITLE:               |  |              |  |
| CHK'D   |  |  |  |           |  |                                   |  |                      |  |              |  |
| APPV'D  |  |  |  |           |  |                                   |  |                      |  |              |  |
| MFG   |  |  |  |           |  |                                   |  |                      |  |              |  |
| Q.A   |  |  |  |           |  | MATERIAL:                         |  | DWG NO.              |  | A3           |  |
|   |  |  |  |           |  | WEIGHT:                           |  | SCALE:1:1            |  | SHEET 1 OF 1 |  |
|   |  |  |  |           |  |                                   |  | Crank Spacer V1      |  |              |  |